



WORKING TABLE without edge



Strojírna Pálava Maxima s.r.o.

DESÁTKOVÁ 124/15, 623 00 BRNO KOHOUTOVICE
Manufactory: TOVÁRNÍ 34, 679 32 SVITÁVKA, CZECH REPUBLIC
tel: +420 - 516 453 834, fax: +420 - 516 453 834
e-mail: info@s-palava.cz; www.s-palava.cz

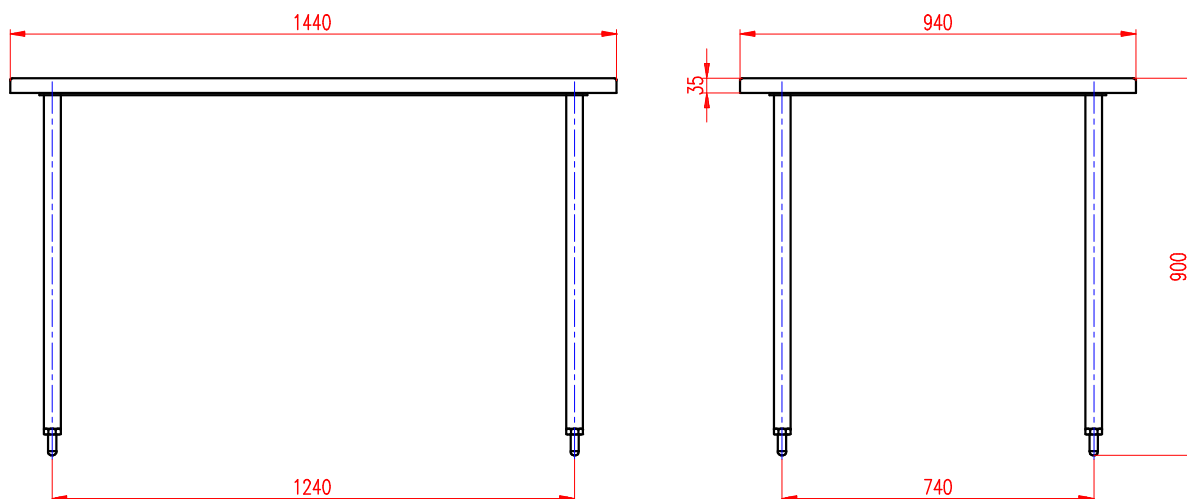


Table is made from non-corrosive material. It answers all demands of hygiene and is good for easy cleaning. The table plate is smooth, without edge.

Production of the other table dimensions is possible according to type sizes.

Technical data

Length	1440 mm
Width	940 mm
Height	900 mm
Weight	50 kg